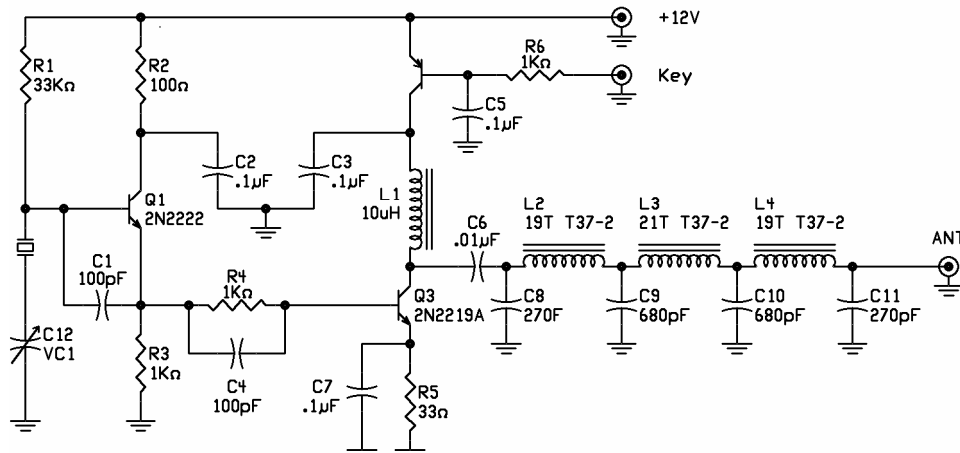


Hendricks QRP Kits Pacificon Building Contest

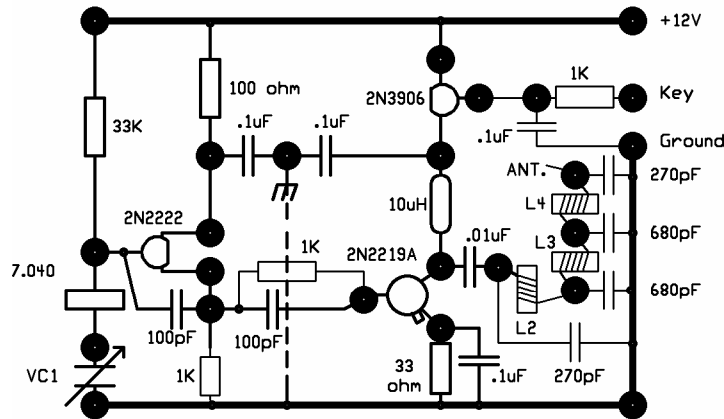
Here is the information that you will need to build your OXO transmitter kit for the Hendricks QRP Kits Pacificon Building Contest. You must follow the layout that is on here, you must build with either brass or copper nails or brads and you are not restricted to using just these parts. You may add on/off switches, etc. I am including a power jack that you may wish to use, but it is optional. We will have 3 categories for judging: Best Construction, Ugliest Construction, and Best Packaging. 1 entry could win more than 1 category. Plus, everyone who enters a kit will have their name put in a drawing for a BitX20A 20 Meter SSB kit from Hendricks QRP Kits. Good luck and see you at Pacificon. 72, Doug

OXO Transmitter by GM30XX



Pacificon OXO Transmitter

Hendricks QRP Kits Building Contest



Note: VC1 is 1/2 of the polyvaricon cap. It is mounted On the front panel.

L2, 4 = 19T #28 on T37-2

L3 = 21T #28 on T37-2

● = Brass or Copper Nails or Tacks

●—————● = Bus Wire (#12 Copper)